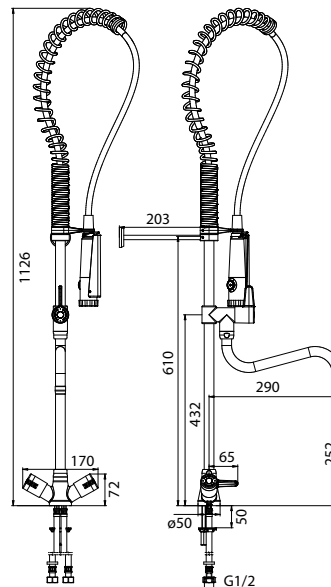


TECHNICAL DATA SHEET

PRESTO®

Range: PRESTO CHEF - Professionnal Kitchen range

Ref: 70820 - Column – deck-mounted mixer – rinsing head



> THE PRODUCT BENEFITS

- Resistant to intensive use
- Spring flexibility
- Ergonomic hand shower with continuous flow function, and gripping surface limiting the risk of burns. Tip to absorb shocks. Locking hook to avoid MSDs (musculoskeletal disorders)
- Fast filling of tanks: 30L / min at 3 bar
- Reinforced body / column interface
- Intuitive and ergonomic knobs: easy grip
- Product design
- Adjustable wall support
- PU sheath shower hose to avoid bacterial niches and facilitate cleaning
- Easy maintenance: presence of a slot under the red / blue patch allowing the passage of a screwdriver
- Ease of maintenance: availability of all spare parts
- Flow straightener to channel water and avoid lateral water splashes

> TECHNICAL SPECIFICATIONS

> Model:

- Single-turn mixer with ceramic head 1/4 turn with flow rate of 30L / min at 3 bar
- 1/4 turn ceramic head tap with filling spout - adjustable
- Black M 1/2" hand shower with grip surface limiting the risk of burns. Regulated flow: 12L / min. User adjustable jet: concentrated or wetting. Anti-scale shower head.
- Locking hook for continuous flow. Integrated NF check valve.
- Guide spring for stainless steel hose
- Adjustable wall support, can be cut from 60 to 200 mm (from column to wall)
- Adjustable hand shower holder: left or right
- Interchangeable anti-tartar flow straightener

> Recommended working pressure:

- 1 to 5 bars

> Flow rate:

- 30 L / min at 3 bar

> Hydraulic supply:

- G 1/2 " (15x 21)

> Material and color of finish:

- Chromed brass body and spout
- Injected metal hook
- Material compliant with the "UBA" list

> Thermal resistance:

- Withstands a temperature of 75 ° C for 30 minutes (as part of thermal shock).

> Delivered with :

- 1 fixing bracket
- 2 PEX flexible hoses with stainless steel braided nut G1 / 2 " Lg 660 mm with non-return valves NF
- 1 filter
- 1 stainless steel braided hose (hand shower) surrounded by a PU sheath, resistant to temperatures up to 90 ° C. Service operating temperature at 70 ° C maximum continuously

> Standards and approvals:

- Chromed brass body compliant with standards NF EN1982 / NF EN 12164 / NF EN 12165
- Nickel-Chrome surface treatment according to NF EN12540
- Resistance to neutral salt spray (NSS): 200 h according to NF ISO 9227

